

## Copper Short Barrel Compression Splice - SC Series

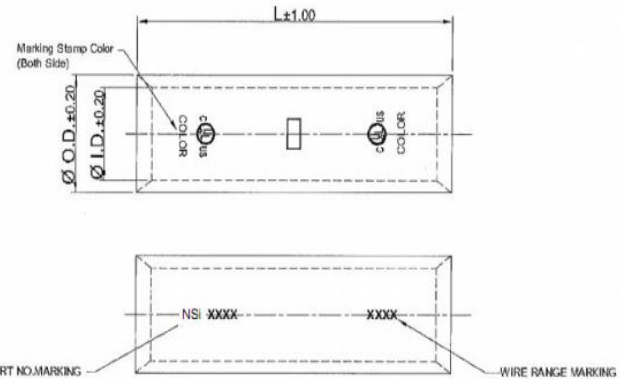
Produced from high conductivity copper tubing, tin plated for corrosion resistance. Color coded and marked with die index information, serrations indicate proper crimp locations.

**Drawn - SD**

**Approved - KM**

**Material - Copper**

**Title - Copper Short Barrel Compression Splice - SC Series**



Part Number	Wire Range	Expanded Wire Range	Color Code	I.D. Inches	O.D. Inches	Length Inches
SC-8	8 AWG	8 AWG	RED	0.173	0.272	0.902
SC-6	6 AWG	6-8 AWG	BLUE	0.205	0.295	1.000
SC-4	4 AWG	4-6 AWG	GRAY	0.252	0.343	1.000
SC-3	3 AWG	3-6 AWG	White	0.282	0.378	1.883
SC-2	2 AWG	2-6 AWG	BROWN	0.315	0.421	1.252
SC-1	1 AWG	1-6 AWG	GREEN	0.358	0.469	1.799
SC-1/0	1/0 AWG	1/0-6 AWG	PINK	0.390	0.520	1.598
SC-2/0	2/0 AWG	2/0-4 AWG	BLACK	0.441	0.563	1.752
SC-3/0	3/0 AWG	3/0-2 AWG	ORANGE	0.492	0.622	1.752
SC-4/0	4/0 AWG	4/0-1 AWG	PURPLE	0.547	0.689	1.902
SC-250	250 MCM	250 MCM-1/0 AWG	YELLOW	0.594	0.752	2.000
SC-300	300 MCM	300 MCM-2/0 AWG	WHITE	0.657	0.815	2.098
SC-350	350 MCM	350 MCM-3/0 AWG	RED	0.701	0.874	2.098
SC-400	400 MCM	400 MCM-4/0 AWG	BLUE	0.764	0.949	2.299
SC-500	500 MCM	500-250 MCM	BROWN	0.835	1.063	2.500
SC-600	600 MCM	600-250 MCM	GREEN	1.189	1.189	2.500
SC-750	750 MCM	750-500 MCM	BLACK	1.031	1.311	3.201